

Shenzhen Deer Electronic Co., Ltd.

BLOCK I, NO.8 BAOTIAN FIRST ROAD, SHATIAN COMMUNITY, KENGZI STREET,
PINGSHAN NEW DISTRICT, SHENZHEN CITY

Guangdong Nanrong Electrical Industry Co., Ltd.

BLOCK I, NO.8 BAOTIAN FIRST ROAD, SHATIAN COMMUNITY, KENGZI STREET,
PINGSHAN NEW DISTRICT, SHENZHEN CITY

SPECIFICATION FOR APPROVAL

CUSTOMER NAME: SIEGER ROBOTEK ELECTRIC PRIVATE LIMITED

PRODUCT NAME: Medium Size Flat Type Fuse Base

MODEL DTAIL: ANM-B 500A 100VDC

PREPARED BY	CHECKED BY	APPROVAL BY	PREPARED BY	CHECKED BY	APPROVAL BY
Hongmei Liu	Chungang Yu	Sdwen Lu			

供方签章:

SUPPLIER:

日期: 2022.08.29

DATE: 2022-08-29

TEL: 086-0755-28397358

E-mail: holly@delfuse.com



客户签章:

CUSTOMER:

日期:

DATE:

FAX: 086-0755-28397356 P.C: 518122

Web site: //www.delfuse.com

1 NAME

Medium size flat type fuse base

2 SCOPE

100VDC 500A and below DC current and voltage

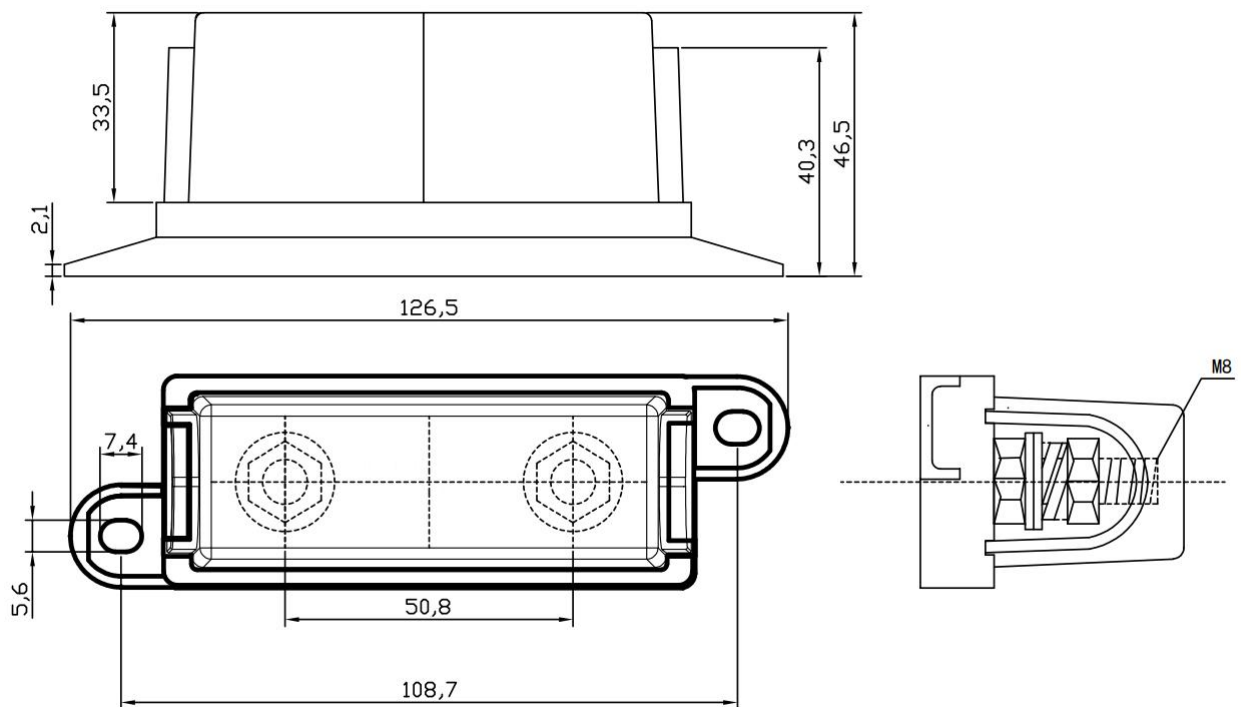
The rated current and voltage of this product is 100VDC 500A. It is used in circuits whose actual working value is lower than or equal to 100VDC 500A. If it is used in a working environment higher than the rated 100VDC 500A value of this product, it will cause serious adverse consequences. assume any responsibility.

3 Model specification

Model:ANM-B,specification:500A 100VDC

4 PRODUCT DRAWING

4.1 Drawing(Size unit: mm)



ANM-B drawing

5 ELECTRONIC PERFORMANCES

5.1 Insulation resistance

DC 500V 100M Ω Min

5.2 Voltage breakdown

Min AC 2000V

6 APPEARANCE

The appearance of the safety sheet shall not have the disadvantage of hindering it during use;

7 MANUFACTURING MATERIAL

Part name	Material
screw bolt	Class 8.8, nickel or gold plated
Main body	nylon, PC